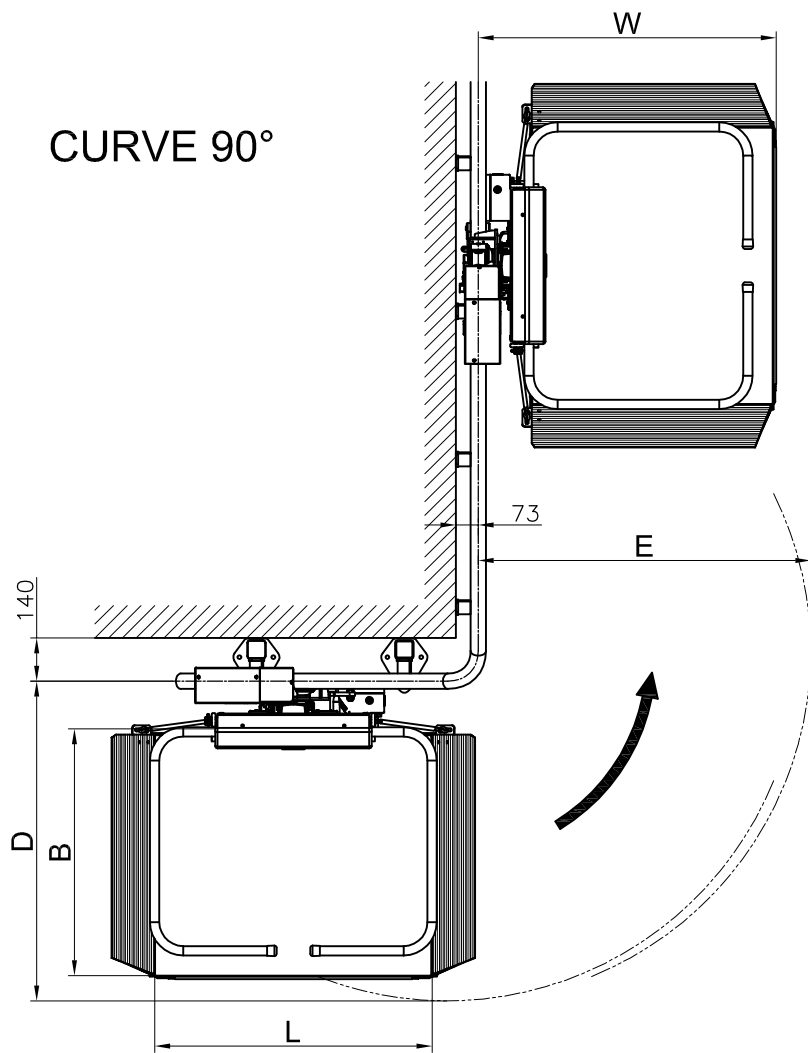
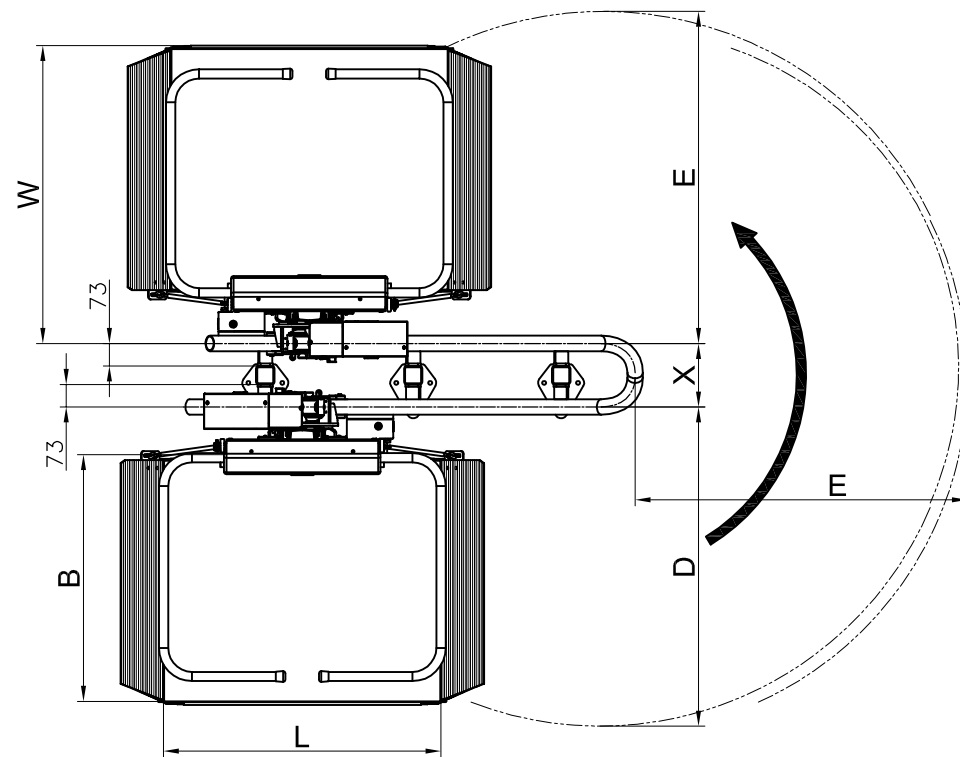


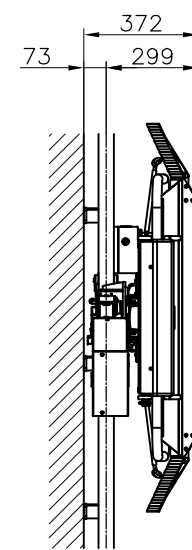
### CURVE 90°



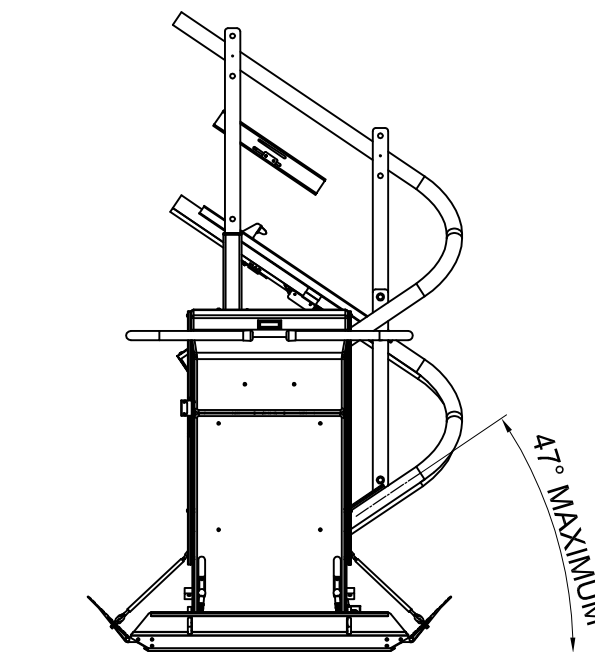
### CURVE 180° (34°-44°-34°)



### PLATFORM CLOSED



### INCLINATION OF THE RAIL



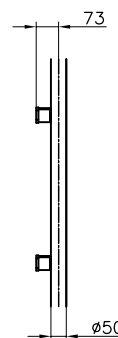
RAMPS WIDTH 200mm

PLATFORM (L x B)	W	D	E	X
750 x 700	892	918	956	206
850 x 750	917	982	1025	206
900 x 800	967	1038	1081	206
1000 x 800	967	1061	1108	206
1250 x 800	967	1129	1185	206

DIMENSION X IS VALID ONLY FOR RAIL ANGLE COMBINATION 34°-44°-34°  
FOR DIFFERENT COMBINATION IS BIGGER

### RAIL FIXING

#### ON THE WALL



#### ON THE PILLARS

