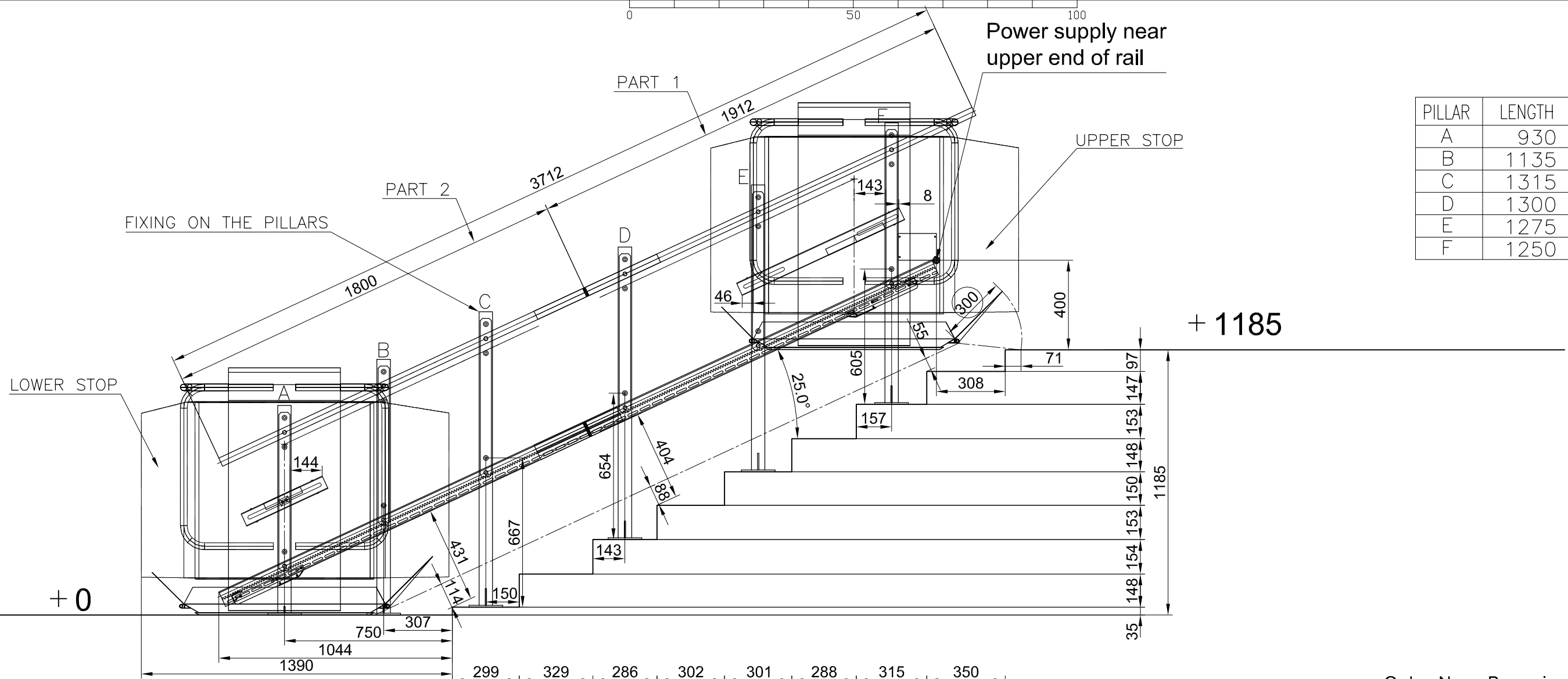


0 50 100

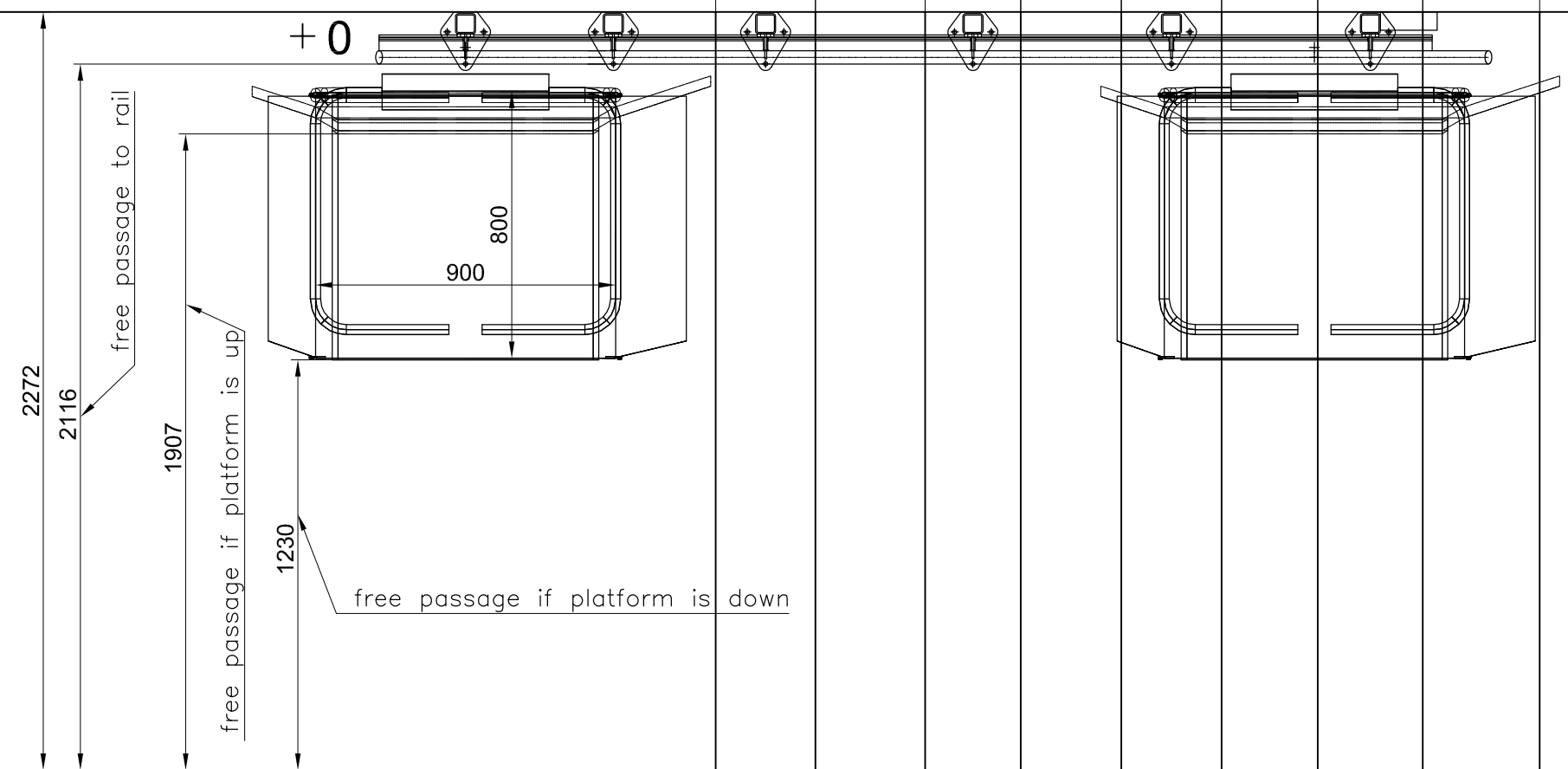


PILLAR	LENGTH
A	930
B	1135
C	1315
D	1300
E	1275
F	1250

+ 1185

+ 0

Order: Nowa Brzeznicza



+ 1185

Power supply near upper end of rail.  
230V AC 50Hz supply with circuit breaker 6 amp and RCD 0,03amp., delivered by building.

Weight	225 kg	Control voltage	24V DC
Lifting height	1185 mm	Rated speed	0,1 m/s
Gear ratio	i = 100:1	Motor	24 V, 0,5 kW

SP DELTA  
SP5902



LIFT PLUS PL  
Kaczmarczyk Spółka Jawna  
Ul. Strazacka 33  
42-263 Wrzosowa, POLAND