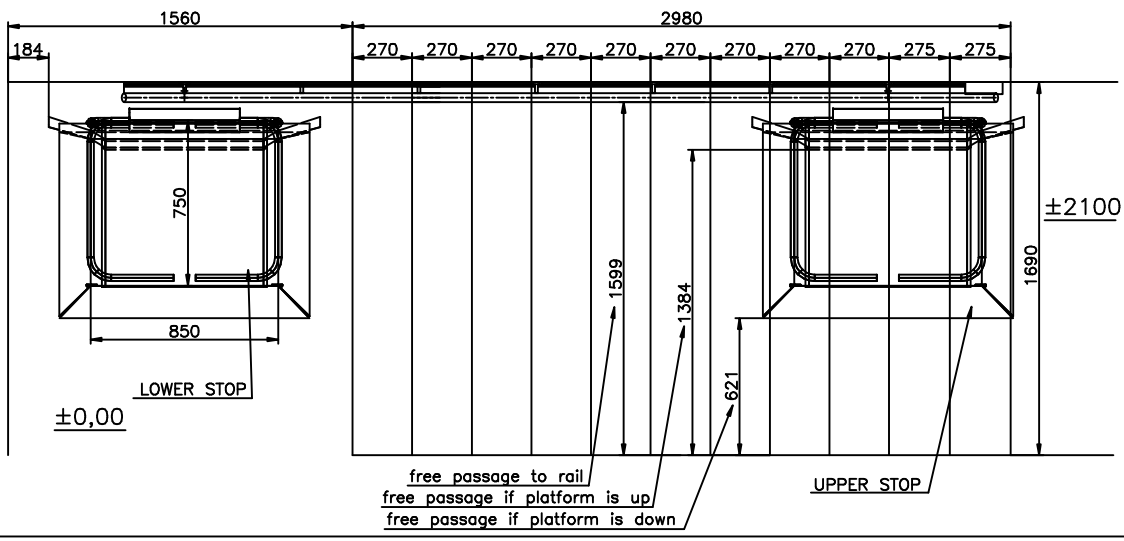


Power supply near upper end of rail

Power supply near upper end of rail.
 230V AC 50Hz supply with circuit breaker 6 amp and RCD 0,03amp., delivered by building.



Weight	225 kg	Control voltage	24V DC
Lifting height	2100 mm	Rated speed	0,1 m/s
Gear ratio	i = 100:1	Motor	24 V, 0,5 kW



Lift Plus PL Kaczmarczyk Spółka Jawna
 ul. Strażacka 33, 42-263 Wrzosowa
 www.liftplus.pl